

saunum



UPGRADED!
In-sauna control button

saunum leil plus 2.0

With the Leil control panel installed outside the sauna and a fan control button inside, you have full control over your sauna experience. Saunum Leil also supports our AutoLeil automatic water dispensing system, which can be easily operated and adjusted directly from the Leil touch panel. For smart home integration, the device is compatible with ModBus.

Heater fan control button inside sauna room

Inside the steam room control button that you can use to regulate the fan while relaxing in your sauna.



Leil touch control panel outside sauna room



Remote control from app

With the Saunum Leil Plus Mobile Set, you can control your sauna anytime and anywhere. You just need to pair the Saunum Leil application with your Leil Plus Mobile Set that is connected to Wi-Fi network. Sauna notifications are displayed on the user's mobile phone screen.



Temperature selection: temperature 40–100 °C

Heater run time: adjustable up to 12 hours

Climate control system: 3 speeds
NB! Only use the climate device when you are in the steam room

Pre-setting the sauna in Leil control panel: 3 pre-set sauna modes (temperature, duration, climate device speed)
Sauna duration includes heating time that is approximately 1.5 hours, depending on your sauna

Sauna scheduling: choose the “sauna ready” time and sauna type. Repeating function

Notifications: the sauna is ready, the status of the heater, door is open, overheating protection applied

Languages: the menu offers a variety of languages

Safety: screen lock

Heat tolerance: 100 °C

IP rating: 22

Power unit

Supply voltage: 230 V 3 N~

Heater power: up to 9 kW / 12 kW (for higher power an additional contactor must be used)

Safety: door sensor and overheating protection

2025(1)

saunum.com
info@saunum.com



saunumsauna



saunumsauna



saunum

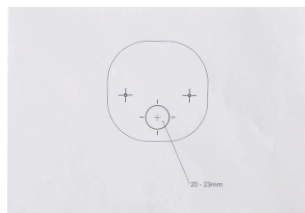
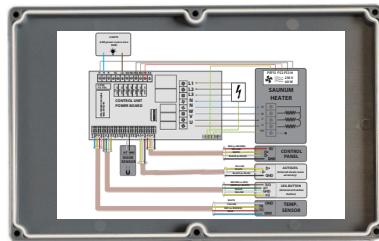
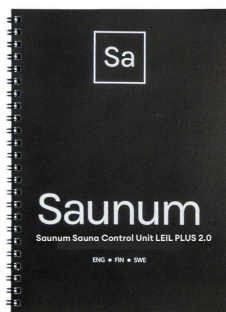


saunum

WHAT IS INCLUDED IN
SAUNUM LEIL PLUS 2.0

- Assembled Control Box + screws 6 pc
- Assembled Leil Remote
- Assembled Temperature Sensor
- Assembled Ventilator button
- Packaging
- Serial number stickers
- Cable temperature sensor

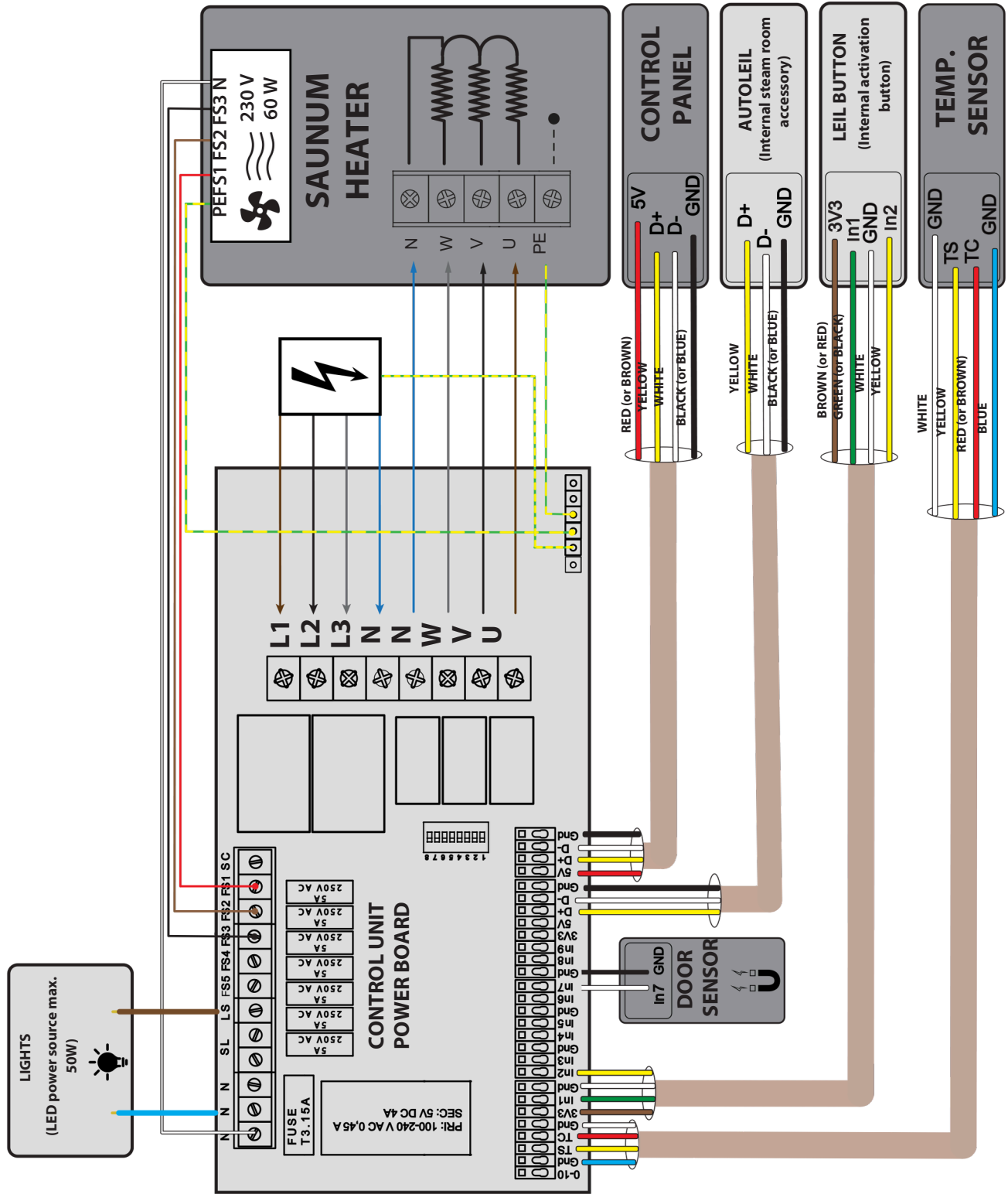
- Cable control panel
- Cable ventilator button
- Manual
- Connection diagram sticker
- Ventilator button fastening screws 2 pc
- Thermal sensor fastening screw 1 pc
- Drill template real size
- Door sensor + magnet



2025(1)



WIRING
THE FAN BUTTON



INSTALLING

THE FAN BUTTON

Install the fan button inside the sauna room. The button can be installed on the sauna wall or on the bench. Best to install it at least 300 mm (11.81 in.) from the ceiling.

For concealed installation, the data cable can be installed in a protective tube inside the wall; if this is not possible, it must be installed on the wall surface.

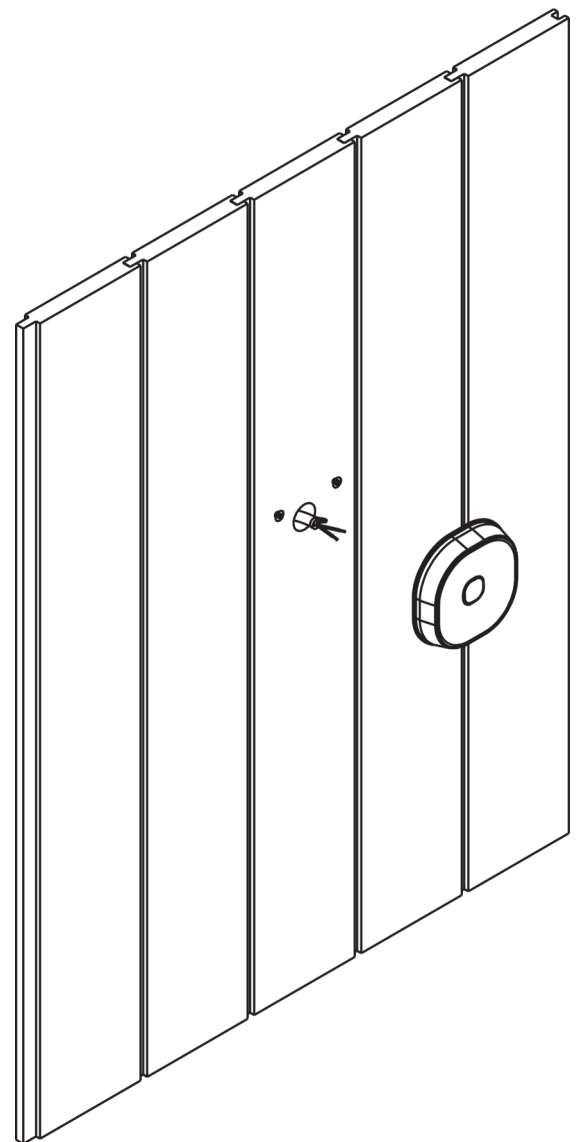
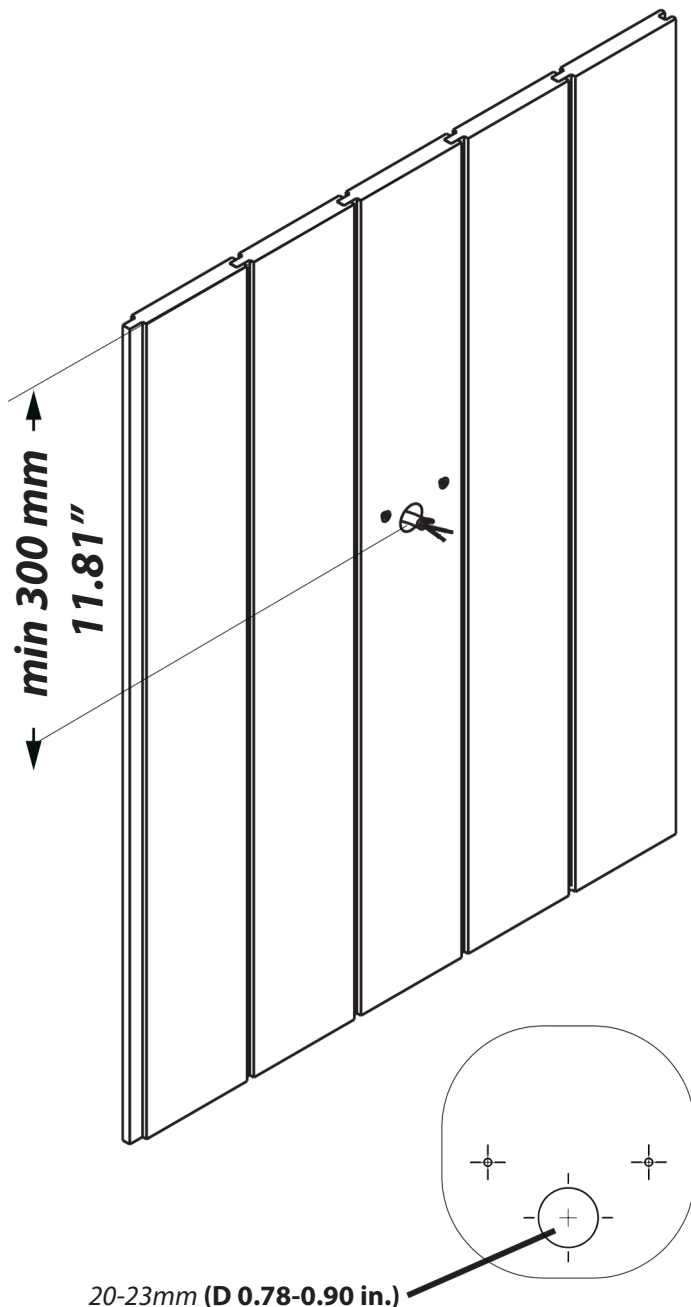
1. Use the printed template to mark locations for screw holes and a drill hole \varnothing 20–23 mm (0.78–0.90 in.) drill bit for the cable connector. If the cable is not concealed inside the wall, the hole can be only 5 mm (0.19 in.) deep or carved into the wall using a sharp blade.

The fan button is IP 22 rated and must be installed on the wall, in a place protected from water splashes.

2. Install the screws, leaving the heads out 3–4 mm (0.11–0.15 in.) from the wall. Drill the hole through the wall and bring the cable to the opening. Pull enough cable through the hole to connect the cable to the button connectors.

3. Connect the wires to the fan button connector. Make sure the wires are connected to the main unit in the same colour code order (turn page to see the connection).

4. Connect the fan button to the wall, aligning screw heads with the keyholes in the back of the fan button.



NOTE! If it's not possible to conceal the cable inside the wall, it can be installed on the wall surface. In this case, the wires must be pulled through the groove in the wooden enclosure before connecting to the connector.